

UPA

15-120 AUTO





Max. 1.0 MPa
(10 bar)



Hmax 12 (m)

t_1



t_2



$t_1 \geq t_2$

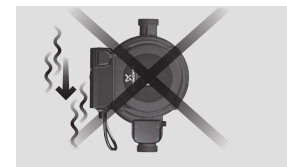
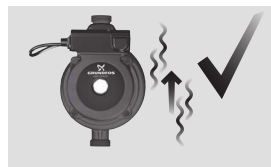
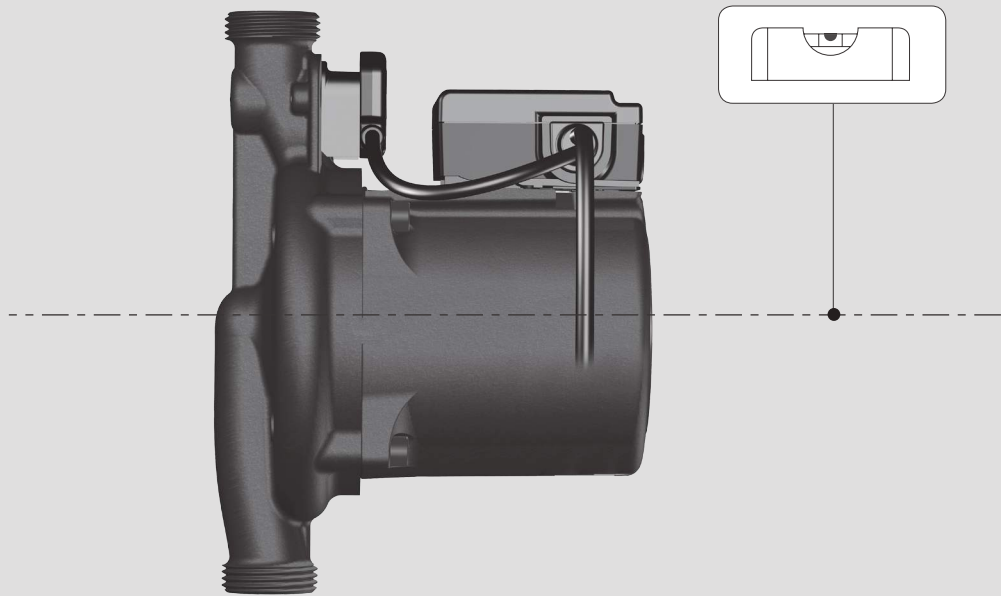
TF95	t_1 °C	2	40	60	80	95
	Max. t_2 °C	0	40	40	40	40

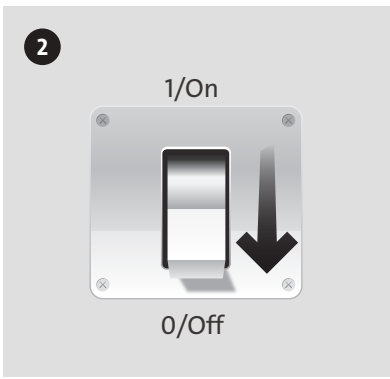


< 43 dB(A)

Max. 95 % RH
IP42

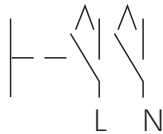




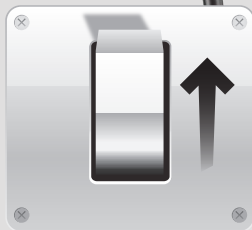


1~

Min. 3 mm



1/On



0/Off





